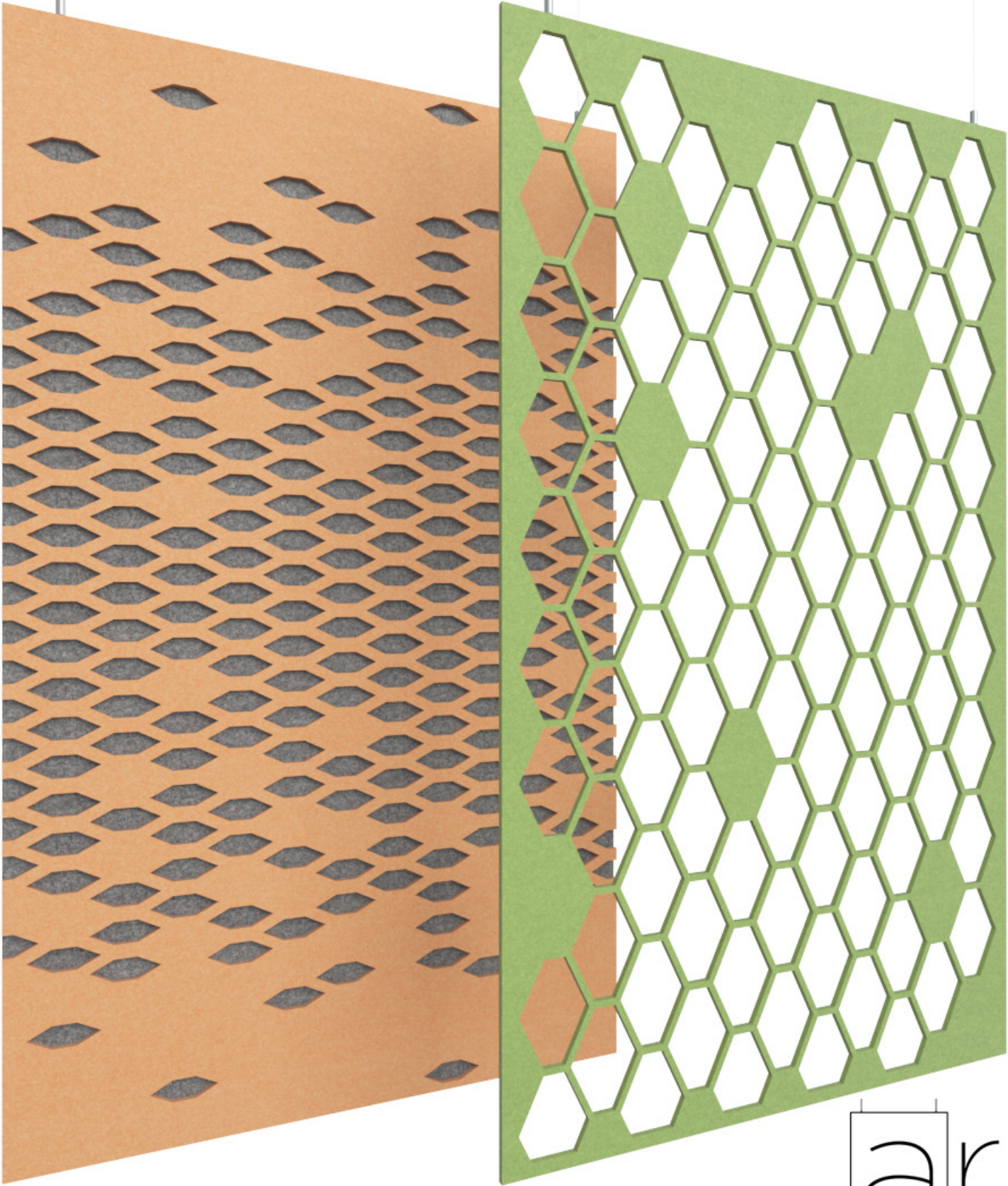


Assembly Instructions

Please read this sheet prior to assembly
to familiarize yourself with the installation

Tools Needed:

- Phillips head screwdriver or Drill
- Wire Cutter pliers
- Level



ariel

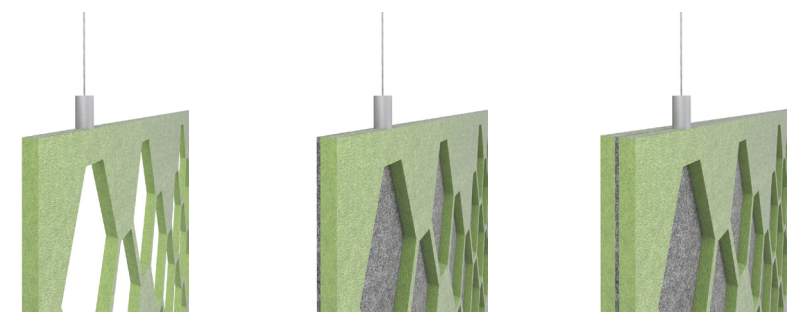
 nevins™

1

Mark hole locations 6" from each end and in center of each panel. Insert [C] Pan head screw through [B] threaded stud. Drip 3-4 of provided adhesive on the [C] Pan head screw threads. Using a Drill or Phillips head screw driver, Screw [C] Pan head screw through [B] threaded stud and into Marked location . Repeat at opposite end. The adhesive sets up in 15-30 seconds. Do not over apply adhesive.



BARREL LOCATIONS



Single Layer Panel Double Layer Panel Triple Layer Panel

**Refer to alternate attachment method @ exposed joist if required.

2

Measure and install (2) ceiling anchors at 36" on center if required. [A] drywall anchor provided by Nevins. For custom widths calculate the center dimension by (Panel Width - 12") assuming each support is 6" from the end

Using a Drill or Phillips head screw driver, screw the [B] threaded stud into ceiling anchor using [C] Pan head screw. Repeat for each side

**Installer to provide alternate ceiling anchor for applications other than drywall.

3

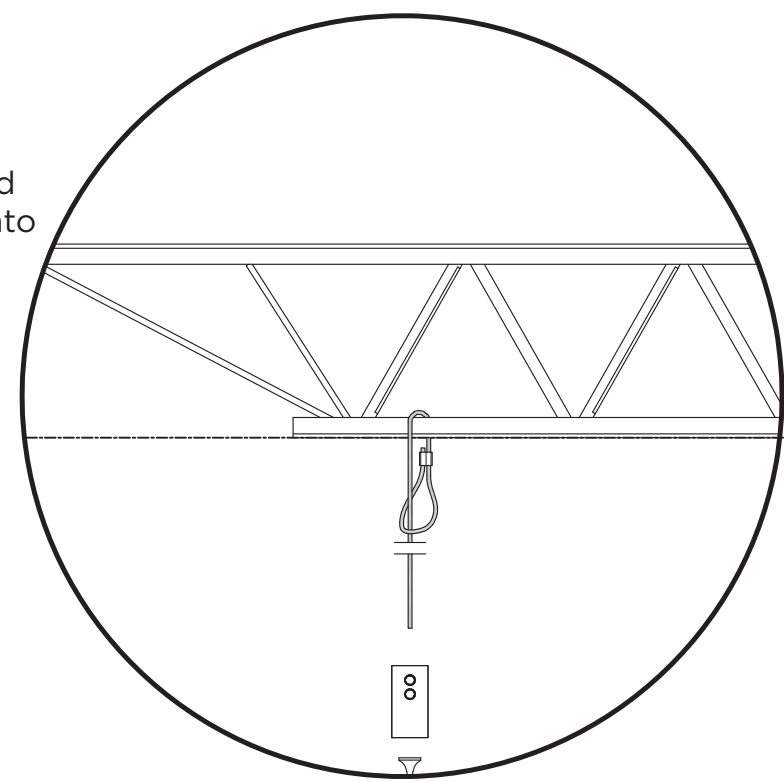
Hand tighten [D] Barrel to the threaded stud at all four (4) locations.

4

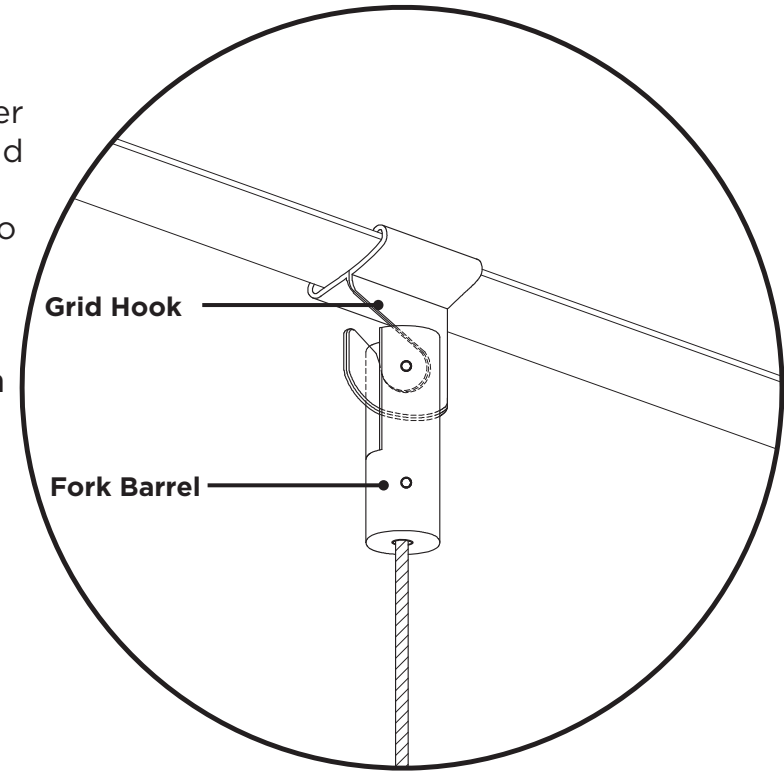
Remove loop using wire cutting pliers & insert [E] Wire Cable into ceiling [D] Barrel and tighten set screws using Hex Key provided. Repeat at two (2) locations.

5

Cut [E] Wire Cable to appropriate length then lift Ariel Panel, and repeat step 4. Place level on the top of panel to ensure it is hung correctly



Alternate attachment method @ exposed joist
Using loop end of wire cable create slip knot over bottom chord of joist



Alternate attachment method @ ceiling grid
Clip 2 piece hook around the ceiling grid. Tightly secure fork barrel to wire cable, and hang the barrel over the 2 piece hook

